

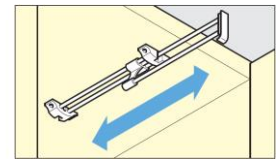
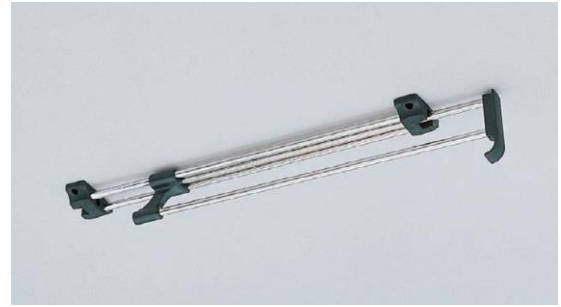
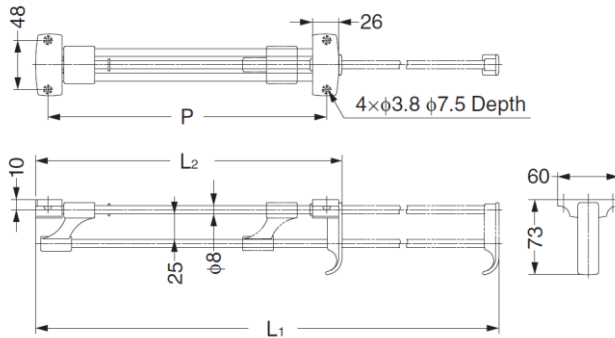
## GWH Extension Hanger

### Features

- Space-saving, under-mount design for narrow spaces

### Parts Included

- Pan head tapping screw 3.5×20



Part Name	Material	Finish/Colour
Hanger Rod	Steel	Nickel
Retainer Guide	Polyamide (PA)	Black

Part No.	L <sub>1</sub>	L <sub>2</sub>	P	Load Capacity	
GWH-300	498	300	273	58.8 N	6 kg
GWH-350	570	350	323	49 N	5 kg
GWH-400	628	400	373	49 N	5 kg
GWH-450	698	450	423	39.2 N	4 kg

## GAS Extension Hanger

### Features

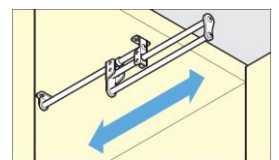
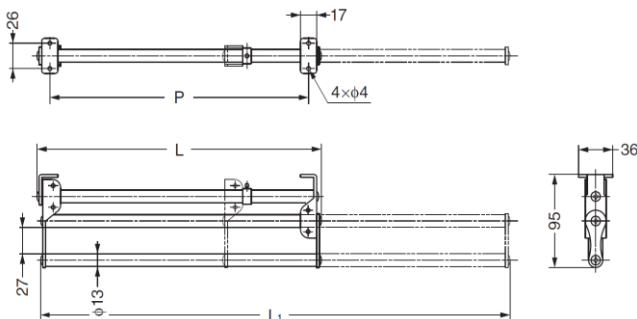
- Space-saving, under-mount design for narrow spaces

### Material

- Stainless steel 430, satin finish

### Parts Included

- Raised countersunk head wood screw 3.5×25 (SUS)



Part No.	L <sub>1</sub>	L	P	Load Capacity	
GAS-300	495	300	273	49 N	5 kg
GAS-330	545	330	303		
GAS-360	598	360	333		
GAS-400	665	400	373		